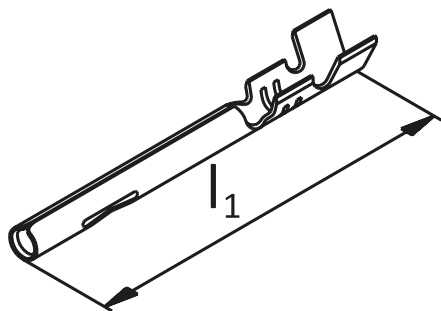


All parts shown on this page are suitable for overmoulding. Available in brass or bronze. Surface pre-tinned, pre-nickel-plated, pre-silver-plated or selectively gold-plated.

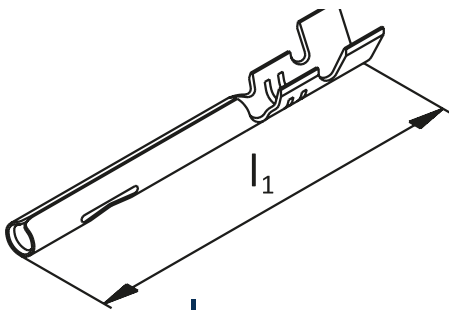
## Contact Bushing

1 mm



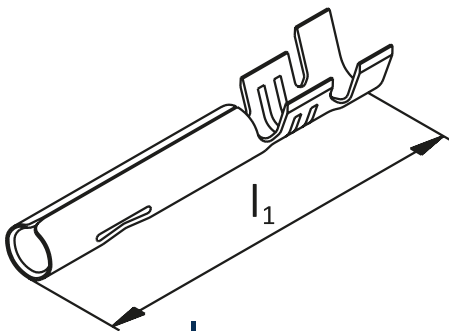
Art #	Wire section		Pin diameter (mm)	Material thickness (mm)	Quantity per reel
	(mm <sup>2</sup> )	l <sub>1</sub> (mm)			
3551	0,124-0,25	18,0	1,0	0,25	10000
3552	0,5-1	18,3	1,0	0,25	7000
3590	0,124-0,25	16,5	1,0	0,25	10000
3603	0,124-0,25	13,5	1,0	0,25	12500

3603 = without insulation support



Art #	Wire section		Pin diameter (mm)	Material thickness (mm)	Quantity per reel
	(mm <sup>2</sup> )	l <sub>1</sub> (mm)			
3523	0,124-0,25	18,0	1,5	0,25	10000
3533	0,5-1	18,3	1,5	0,25	7000
3636	0,124-0,25	18,0	1,6	0,25	10000
3672	0,5-1	18,3	1,6	0,25	7000
3677	0,25-0,5	18,3	1,6	0,25	8500

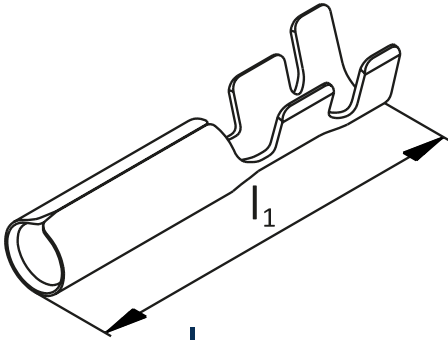
## Contact Bushing 2 mm



Art #	Wire section		Pin diameter (mm)	Material thickness (mm)	Quantity per reel
	(mm <sup>2</sup> )	l <sub>1</sub> (mm)			
3521	0,124-0,25	18,0	2,0	0,25	10000
3532	0,5-1	18,3	2,0	0,25	7000

# Contact Bushing

## 2,45 mm



Art #	Wire section		Pin diameter	Material thickness	Quantity per reel
	(mm <sup>2</sup> )	l <sub>1</sub> (mm)	(mm)	(mm)	
3668	0,5-1	16,0	2,45	0,25	5500